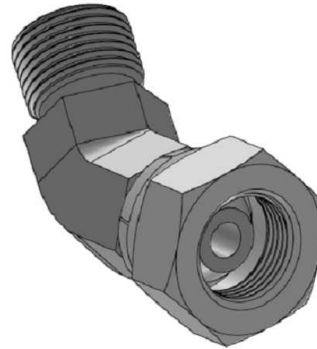
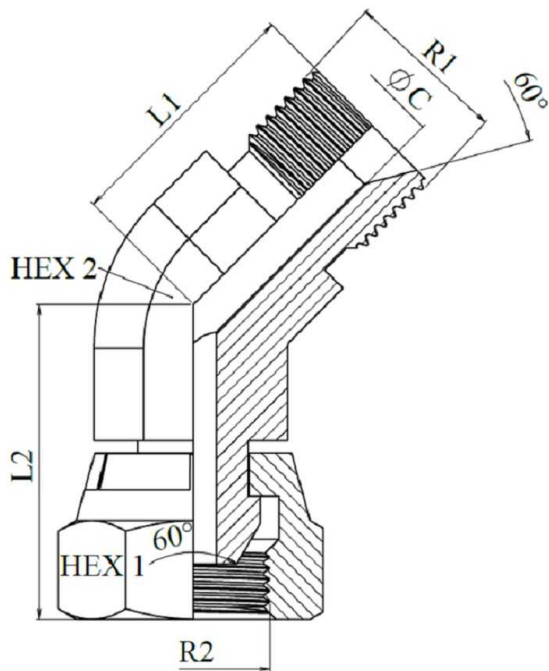


45° Elbow BSP male-BSP swivel female forge

Carbon steel

1/1



Part n°	R1	R2	L1	L2	HEX 1	HEX 2	ØC
S118504	1/4" BSP	1/4" BSP	21	21	19	14	6
S118506	3/8" BSP	3/8" BSP	24	25	22	17	8
S118508	1/2" BSP	1/2" BSP	27	29	27	22	11
S118512	3/4" BSP	3/4" BSP	32	30	32	27	16
S118516	1" BSP	1" BSP	35	32	41	36	22
S118520	1"1/4 BSP	1"1/4 BSP	37	34	50	46	28,5
S118524	1"1/2 BSP	1"1/2 BSP	45	45	55	48	31